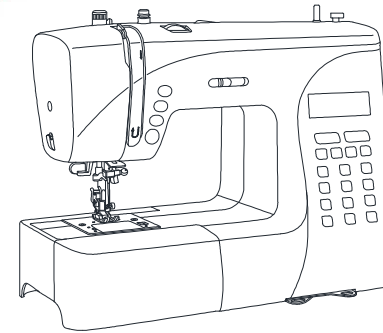
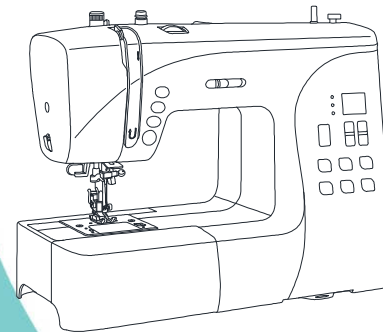


# Parts List

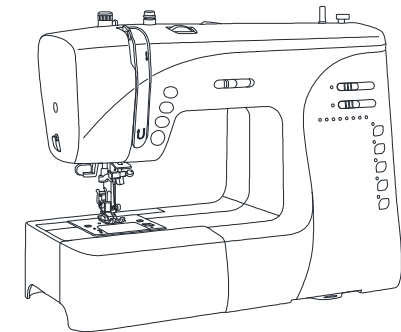
## JUKI COMPUTERIZED MODELS



HZL-80HP



HZL-70HW

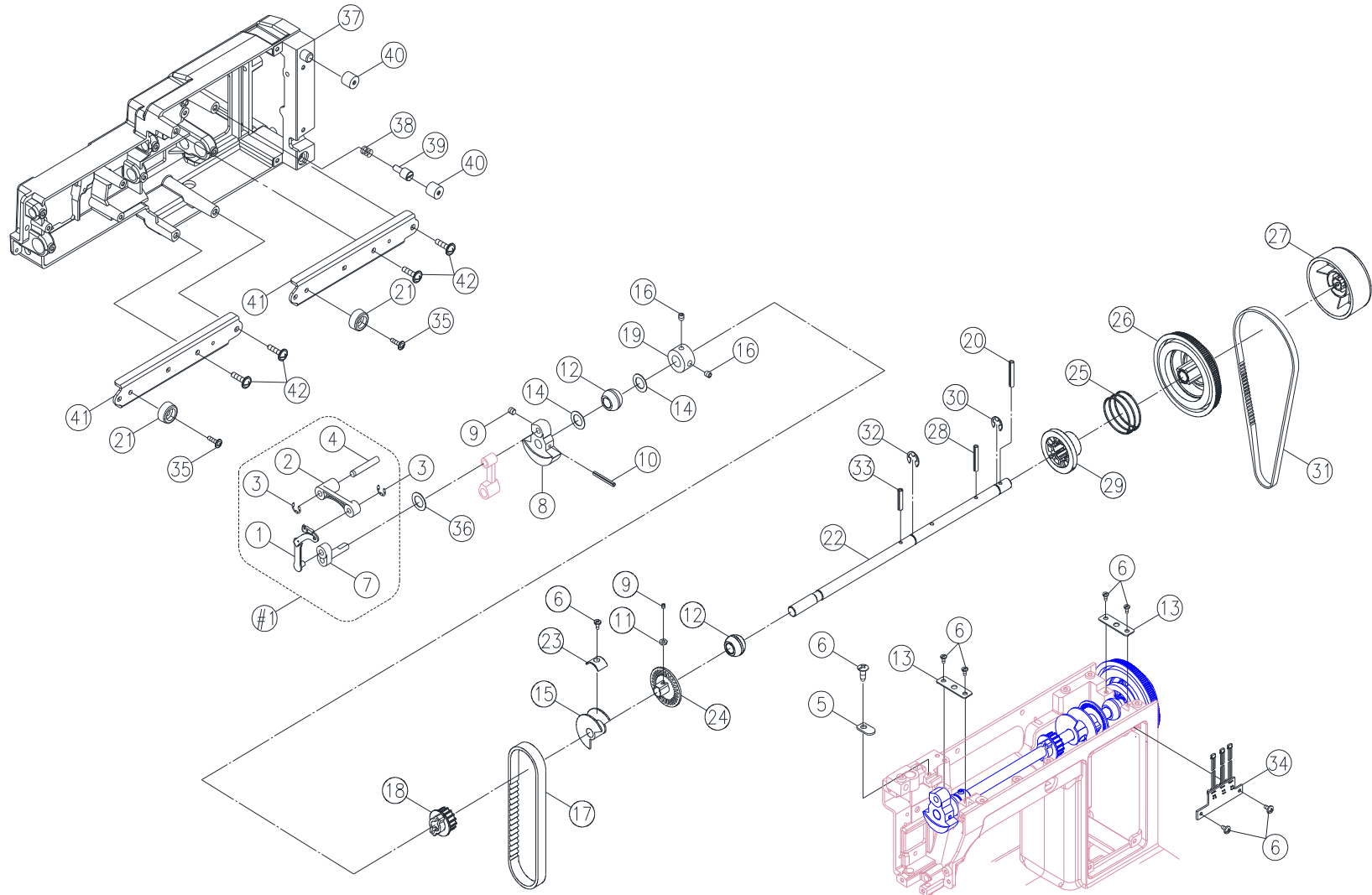


HZL-60HR

# ~ LIST OF CONTENTS ~

A. ARM, ARM SHAFT, THREAD TAKE UP LEVER	1
B. ZIGZAG PULSE MOTOR PLATE, NEEDLE BAR SUPPORTER	3
C. NEEDLE PLATE, BH LEVER PLATE, DIAL TENSION SUPPORTER PLATE	5
D. FEED ROCK SHAFT, BELT ADJUSTING PLATE, FEED REGULATING, PULSE SUPPORT PLATE	7
E. ROTARY HOOK HOLDER, LOWER SHAFT	9
F. BOBBIN WINDER, HF TRANSFORMER, CONTROLLER RECEPTACLE, HANDLE BRACKET	11
G. FREE ARM BASE, BACK COVER	13
H. FACE PLATE, FRONT COVER_FOR H10J	15
H. FACE PLATE, FRONT COVER_FOR H20J	17
H. FACE PLATE, FRONT COVER_FOR H30J	19
I. SEWING TABLE BODY, CORD REEL COVER, PATTERN PLATE	21
J. ACCESSORIES	23

A. ARM, ARM SHAFT, THREAD TAKE UP LEVER

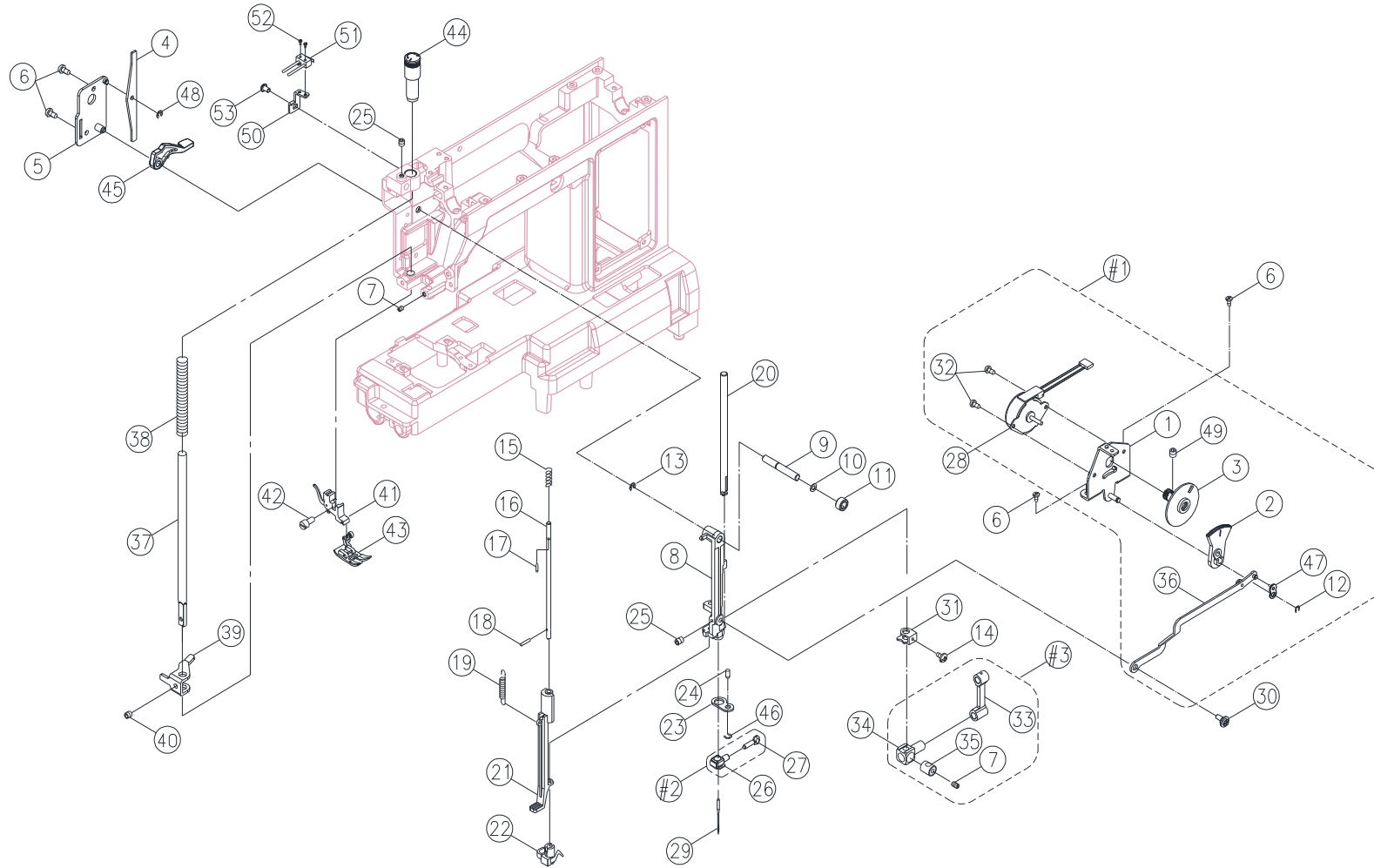


## A. ARM, ARM SHAFT, THREAD TAKE UP LEVER

NO.	ITEM NO.	NAME	REMARK
1		THREAD TAKE UP LEVER COMPLETE	
2		THREAD TAKE UP LEVER SUPPORTER	
3		E-RING(ETW-3)	
4		THREAD TAKE UP LEVER SUPPORTER SHAFT	
5		SET WASTER	
6		SCREW(M4×8A)	
7		ARM SHAFT BALANCE PIN COMPLETE	
8		ARM SHAFT BALANCE	
9		SCREW(M4×6C)	
10		ARM SHAFT BALANCE PIN(φ3.5×24)	
11		NUT(M4 T=3)	
12		ARM SHAFT BUSHING	
13		ARM SHAFT BUSHING HOLDER PLATE	
14		ENDURE ATTRITION WASHER	
15		ROTARY SENSOR COLLAR	
16		SCREW(M5×5C)	
17		MOTOR DRIVE BELT	
18		ARM SHAFT SPROCKET	
19		ARM SHAFT COLLAR	
20		SPRING PIN(φ3×30)	
21		FREE ARM BASE CUSHION RUBBER	
22		ARM SHAFT	
23		ARC WASHER	
24		REVOLUTION CONTROL PANEL	
25		ARM SHAFT CLUTCH ANNULUS SPRING	
26		ARM SHAFT DRIVE BELT PULLEY	
27		HAND WHEEL	
28		SPRING PIN(φ3×28)	
29		ARM SHAFT COLLAR	
30		E-RING(ETW-8)	
31		MOTOR DRIVE BELT	
32		E-RING(ETW-9)	

NO.	ITEM NO.	NAME	REMARK
33		SPRING PIN(φ3×18)	
34		PHOTO SENSOR PLATE	
35		SCREW(M4×8)	
36		ENDURE ATTRITION WASHER(φ6.2×φ12×0.25)	
37		ARM	
38		BASE PLATE ADJUSTMENT SCREW SPRING	
39		BASE PLATE ADJUSTMENT SCREW	
40		FREE ARM BASE CUSHION RUBBER	
41		FREE ARM BASE CUSHION	
42		SCREW(M5×10)	
#1		THREAD TAKE UP LEVER COMPLETE	

B. ZIGZAG PULSE MOTOR PLATE, NEEDLE BAR SUPPORTER

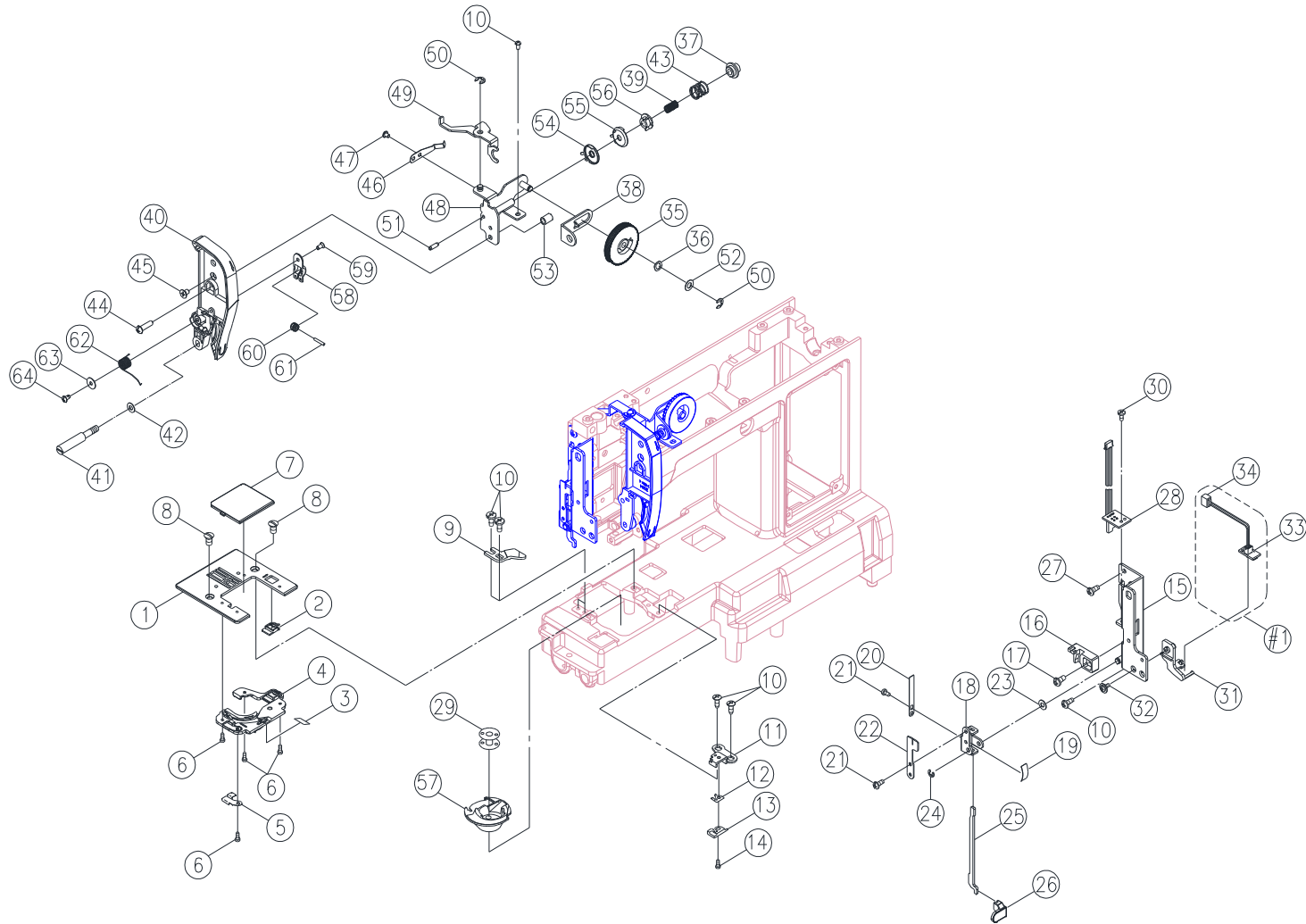


## B. ZIGZAG PULSE MOTOR PLATE, NEEDLE BAR SUPPORTER

NO.	ITEM NO.	NAME	REMARK
1		ZIGZAG PULSE MOTOR PLATE	
2		ZIGZAG CRANK GEAR	
3		PULSE MOTOR GEAR COMPLETE	
4		TENSION LEVER LIFTER	
5		CLAMP PLATE	
6		SCREW(M4×8 A)	
7		SCREW(M4×4C)	
8		NEEDLE BAR SUPPORTER	
9		NEEDLE BAR SUPPORTER PIN	
10		WASHER( $\phi$ 6.2× $\phi$ 12×0.5)	
11		COLLAR	
12		E-RING(ETW-4)	
13		E-RING(ETW-5)	
14		SCREW(M3×8A)	
15		AUTO THREADER SHAFT SPRING	
16		THREADING SHAFT	
17		SPRING PIN( $\phi$ 2×14)	
18		SPRING PIN( $\phi$ 2×6)	
19		THREADER SHAFT SPRING	
20		NEEDLE BAR	
21		AUTO THREAD LEVER	
22		AUTO THREADER	
23		NEEDLE BAR SUPPORTER	
24		NEEDLE BAR SUPPORTER PLATE PIN	
25		SCREW(M4×5C)	
26		NEEDLE CLAMP	
27		NEEDLE CLAMP SET SCREW	
28		PULSE MOTOR	
29		NEEDLE(#14)	
30		NEEDLE BAR DRIVING ROD PIN	
31		THREADING STOPPER	
32		SCREW(M3×5A)	

NO.	ITEM NO.	NAME	REMARK
33		NEEDLE BAR CRANK ROD	
34		NEEDLE BAR BRACKET(1)	
35		NEEDLE BAR BRACKET(2)	
36		NEEDLE BAR DRIVING ROD	
37		PRESSER BAR	
38		PRESSER BAR SPRING	
39		PRESSER BAR BRACKET	
40		SCREW(M4×6C)	
41		SHANK COMPLETE	
42		SCREW (9/64×40×7.5)	
43	40165250	STANDARD PRESSER FOOT(T)	
44		PRESSER BAR REGULATING SCREW COMPLETE	
45		PRESSER BAR LIFTER LEVER	
46		E-RING(ETW-4)	
47		NEEDLE BAR DRIVING ROD PLATE	
48		E-RING(ETW-3)	
49		SCREW(M3×3C)	
50		MICRO SWITCH PLATE	
51		PRESSER BAR LEVER MICRO SWITCH	
52		SCREW (M2×7.5)	
53		SCREW (M4×6 B)	
#1		ZIGZAG PULSE MOTOR PLATE COMPLETE	
#2		NEEDLE CLAMP COMPLETE	
#3		NEEDLE BAR CRANK ROD COMPLETE	

C. NEEDLE PLATE, BH LEVER PLATE, DIAL TENSION SUPPORTER PLATE



## C-1. NEEDLE PLATE, BH LEVER PLATE, DIAL TENSION SUPPORTER PLATE

NO.	ITEM NO.	NAME	REMARK
1		NEEDLE PLATE	
2		NEEDLE PLATE COVER OPEN	
3		THREAD CUTTER	
4		NEEDLE PLATE SUPPORTER	
5		NEEDLE PLATE SPRING	
6		SCREW(M2X3)	
7		NEEDLE PLATE COVER	
8		SCREW(M4×6D)	
9		ROTARY HOOK PLATE	
10		SCREW(M4×6B)	
11		ROTARY HOOK PLATE(2)	
12		ROTARY HOOK PLATE SPRING(2)	
13		ROTARY HOOK PLATE SPRING(1)	
14		SCREW(M2×2.5)	
15		BH LEVER PLATE	
16		BH MOVEMENT CRANK	
17		SCREW(M3×6A)	
18		BH LEVER CRANK	
19		BH SPRING PLATE	
20		BH LEVER CRANK SPRING	
21		SCREW(M3×5B)	
22		PHOTO PLATE	
23		WASHER( $\phi$ 5.2×10×0.2)	
24		E-RING(ETW-3)	
25		BH LEVER	
26		BH LEVER BUTTON	
27		SCREW(M4×8A)	
28		PHOTO SENSOR PLATE(BH)	
29		BOBBIN	
30		SCREW(M3×5A)	
31		LED HOLDER	
32		SCREW(M3×5)	
33		LED LIGHT LAMP	

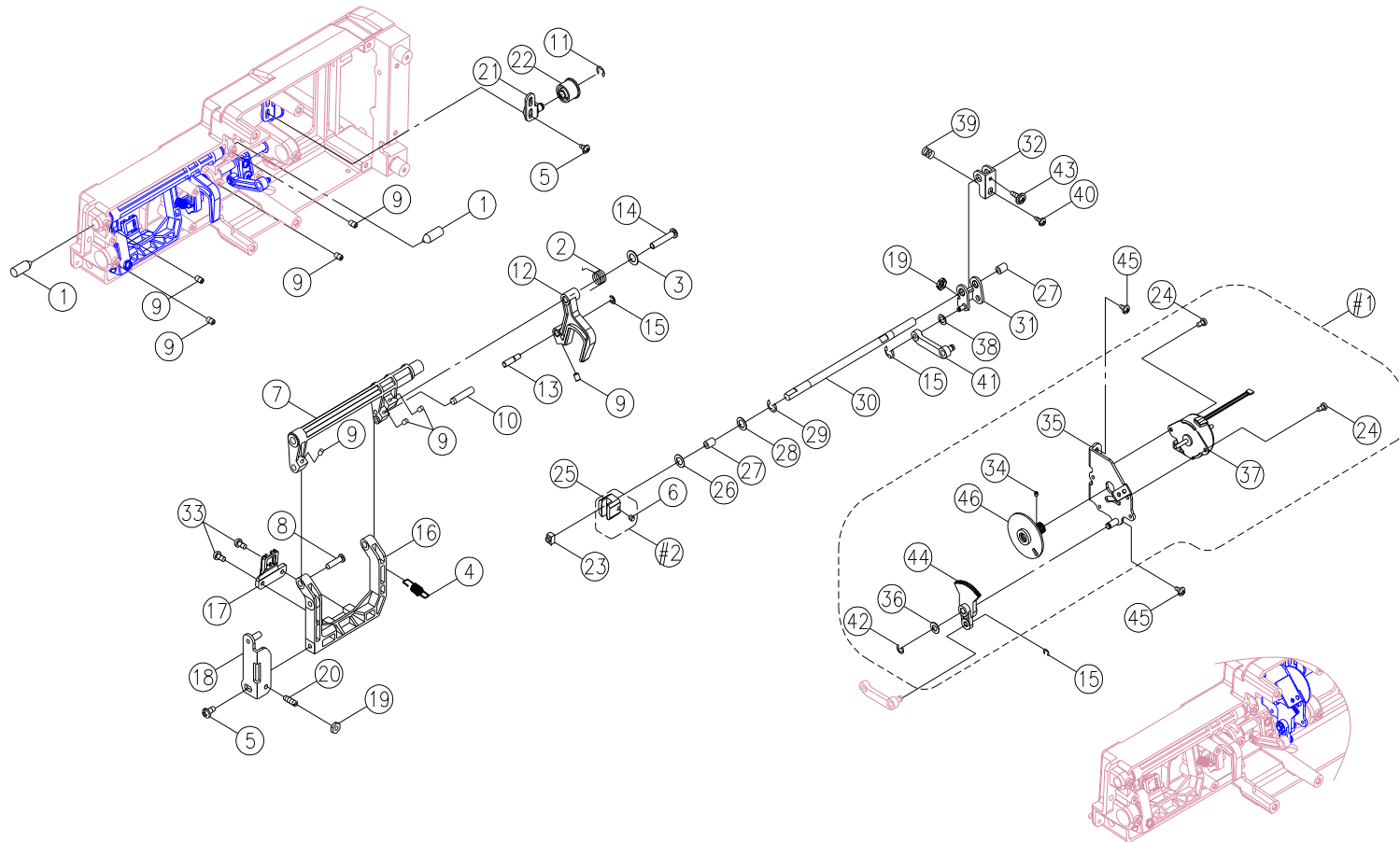
NO.	ITEM NO.	NAME	REMARK
34		LED LAMP LINE	
35		DIAL TENSION KNOB	
36		WASHER (WW-5)	
37		DIAL TENSION REGULATOR	
38		DIAL TENSION SPRING PLATE	
39		SPRING	
40		DIAL TENSION SUPPORTER PLATE COVER	FOR HZL-80HP-A
		DIAL TENSION SUPPORTER PLATE COVER	FOR HZL-80HP-B/70HW-B/60HR-B
		DIAL TENSION SUPPORTER PLATE COVER	FOR HZL-80HP-C
		DIAL TENSION SUPPORTER PLATE COVER	FOR HZL-70HW-A
		DIAL TENSION SUPPORTER PLATE COVER	FOR HZL-70HW-C
		DIAL TENSION SUPPORTER PLATE COVER	FOR HZL-60HR-A
		DIAL TENSION SUPPORTER PLATE COVER	FOR HZL-60HR-C
41		SCREW(M4)	
42		WASHER ( $\phi$ 4.1× $\phi$ 8×1)	
43		DIAL TENSION SPRING	
44		SCREW(M4×15B)	
45		SCREW(M4×6D)	
46		DIAL TENSION KNOB PLATE	
47		SCREW(M3×4 B)	
48		DIAL TENSION SUPPORTER PLATE	
49		DIAL TENSION WAFT PLATE	
50		E-RING (ETW-4)	
51		SPRING PIN( $\phi$ 3×10)	
52		WASHER( $\phi$ 5.2× $\phi$ 10×0.5)	
53		DIAL TENSION GUIDE SPRING TUBE	
54		DIAL TENSION DISC(1)	
55		DIAL TENSION DISC	
56		DIAL TENSION SPRING REGULATOR	
57		SHUTTLE HOOK COMPLETE	
58		THREAD GUIDE ROLLER SUPPORTER	
59		SET SCREW (M3×6)	
60		THREAD GUIDE ROLLER	



## C-2. NEEDLE PLATE, BH LEVER PLATE, DIAL TENSION SUPPORTER PLATE

NO.	ITEM NO.	NAME	REMARK
61		THREAD GUIDE ROLLER PIN	
62		THREAD GUIDE SPRING	
63		WASHER(3.2×10.5×0.5)	
64		SET SCREW (M3×6B)	
#1		LED LIGHT LAMP COMPLETE	

D. FEED ROCK SHAFT, BELT ADJUSTING PLATE, FEED REGULATING, PULSE SUPPORT PLATE



## D. FEED ROCK SHAFT, BELT ADJUSTING PLATE, FEED REGULATING, PULSE SUPPORT PLATE

NO.	ITEM NO.	NAME	REMARK
1		FEED CRANK SHAFT	
2		FEED ROCK CRANK SPRING	
3		WASHER( $\phi$ 5.2 $\times$ $\phi$ 12 $\times$ 1)	
4		FEED DOG SPRING	
5		SCREW(M4 $\times$ 8 A)	
6		SCREW(M4 $\times$ 4C)	
7		FEED ROCK SHAFT	
8		FEED DOG SHAFT	
9		SCREW(M4 $\times$ 6C)	
10		FEED ROCK FRAME SHAFT(2)	
11		E-RING(ETW-4)	
12		FEED ROCK CRANK	
13		REGULATING BLOCK SHAFT	
14		FEED ROCK SHAFT	
15		E-RING(ETW-3)	
16		FEED DOG SUPPORTER	
17		FEED DOG	
18		FEED LIFTING ROCK CRANK	
19		ADJUSTING NUT(ALN-4)	
20		SCREW(M4 $\times$ 0.7 L9)	
21		BELT ADJUSTING PLATE	
22		BELT ADJUSTING PLATE PULLEY	
23		FEED REGULATING BLOCK	
24		SCREW(M3 $\times$ 5A)	
25		FEED REGULATING	
26		ENDURE ATTRITION WASHER( $\phi$ 6.7 $\times$ $\phi$ 11.8 $\times$ 0.5)	
27		FEED ROCK BUSHING	
28		WASHER( $\phi$ 6.7 $\times$ $\phi$ 12 $\times$ 1)	
29		E-RING(ETW-5)	
30		FEED REGULATING SHAFT	
31		FEED REGULATING CRANK	
32		FEED CRANK	

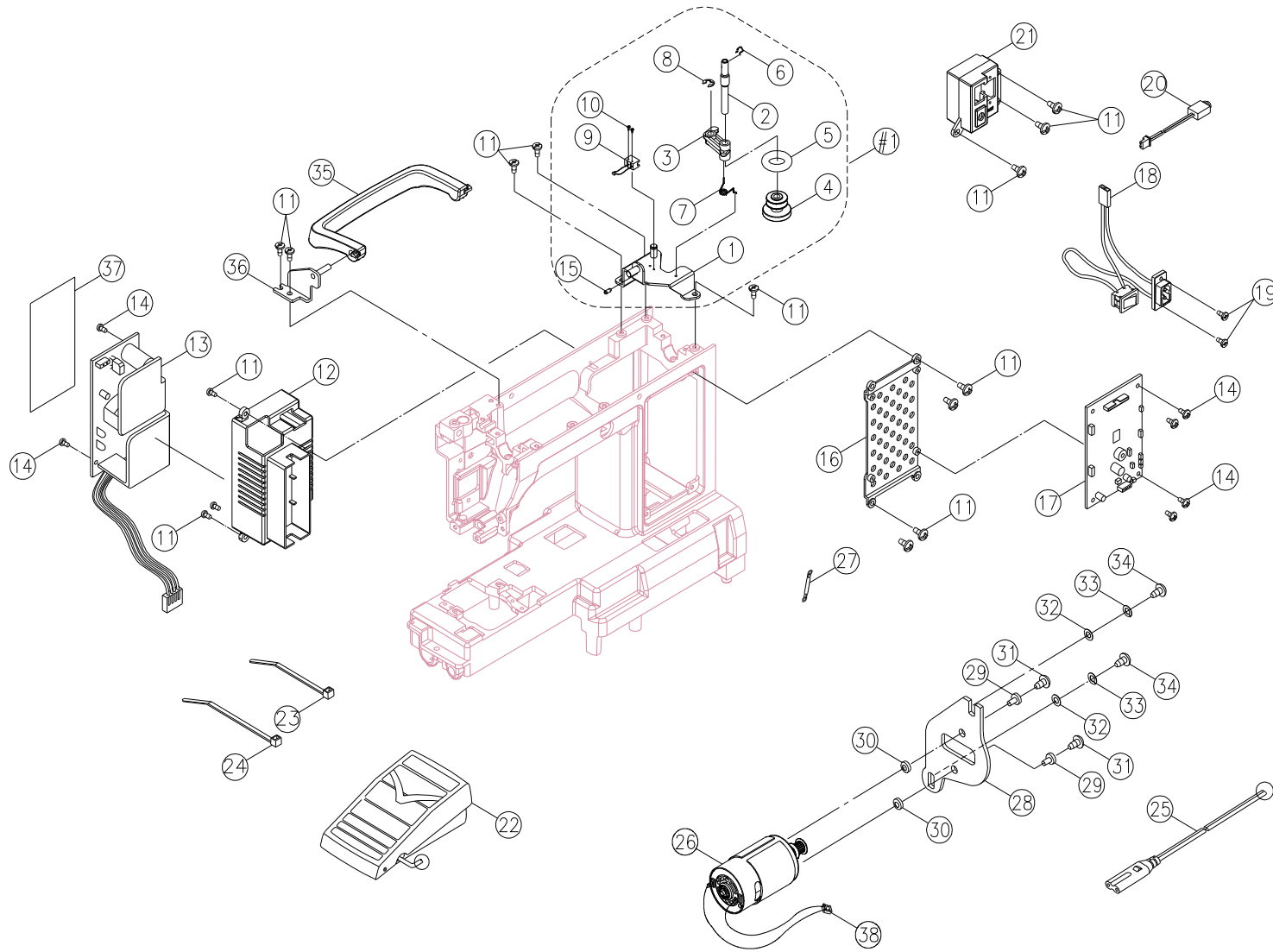
NO.	ITEM NO.	NAME	REMARK
33		SCREW(M3.5 $\times$ 8A)	
34		SCREW(M3 $\times$ 3C)	
35		PULSE SUPPORT PLATE COMPLETE	
36		WASHER( $\phi$ 5.2 $\times$ $\phi$ 10 $\times$ 0.5)	
37		PULSE MOTOR COMPLETE	
38		WASHER( $\phi$ 4.2 $\times$ $\phi$ 8 $\times$ 0.8)	
39		FEED REGULATING CRANK SPRING	
40		SCREW(M4 $\times$ 18)	
41		FEED ROCK ROD	
42		E-RING(ETW-4)	
43		SCREW(M3 $\times$ 12)	
44		FEED ROCK CRANK GEAR	
45		SCREW(M3 $\times$ 6A )	
46		PULSE MOTOR GEAR COMPLETE	
#1		PULSE SUPPORT PLATE COMPLETE	
#2		FEED REGULATING COMPLETE	



## E. ROTARY HOOK HOLDER, LOWER SHAFT

NO.	ITEM NO.	NAME	REMARK
1		SCREW(M4×5C)	
2		BOBBIN SHAFT OIL CLOTH	
3		BOBBIN SHAFT	
4		BOBBIN SHAFT WASHER (2)	
5		ENDURE ATTRITION WASHER( $\phi$ 6.2× $\phi$ 9.6×0.5)	
6		SCREW(M4×6C)	
7		LOWER SHAFT BUSHING	
8		SHUTTLE HOOK HOLDER	
9		BOBBIN SHAFT WASHER(3)	
10		SHUTTLE HOOK COVER	
11		SCREW(M3×12 )	
12		ROTARY HOOK HOLDER	
13		LOWER SHAFT GEAR	
14		WASHER( $\phi$ 8.2× $\phi$ 12×0.5)	
15		ROTARY HOOK SUPPORTER	
16		SCREW(M4×8)	
17		SCREW(M4×8A)	
18		FEED ROCK CAM	
19		SCREW(M4×4C)	
20		LOWER SHAFT	
21		LOWER SHAFT SPRING	
22		FEED LIFTING ROCK COM PIN	
23		FEED LIFTING ROCK CAM	
24		E-RING(ETW-6)	
25		LOWER SHAFT COLLAR	
26		ENDURE ATTRITION WASHER( $\phi$ 8.2× $\phi$ 12×0.5)	
27		LOWER SHAFT BELT PULLEY	
28		SCREW(M5×5C)	

F. BOBBIN WINDER, HF TRANSFORMER, CONTROLLER RECEPTACLE, HANDLE BRACKET

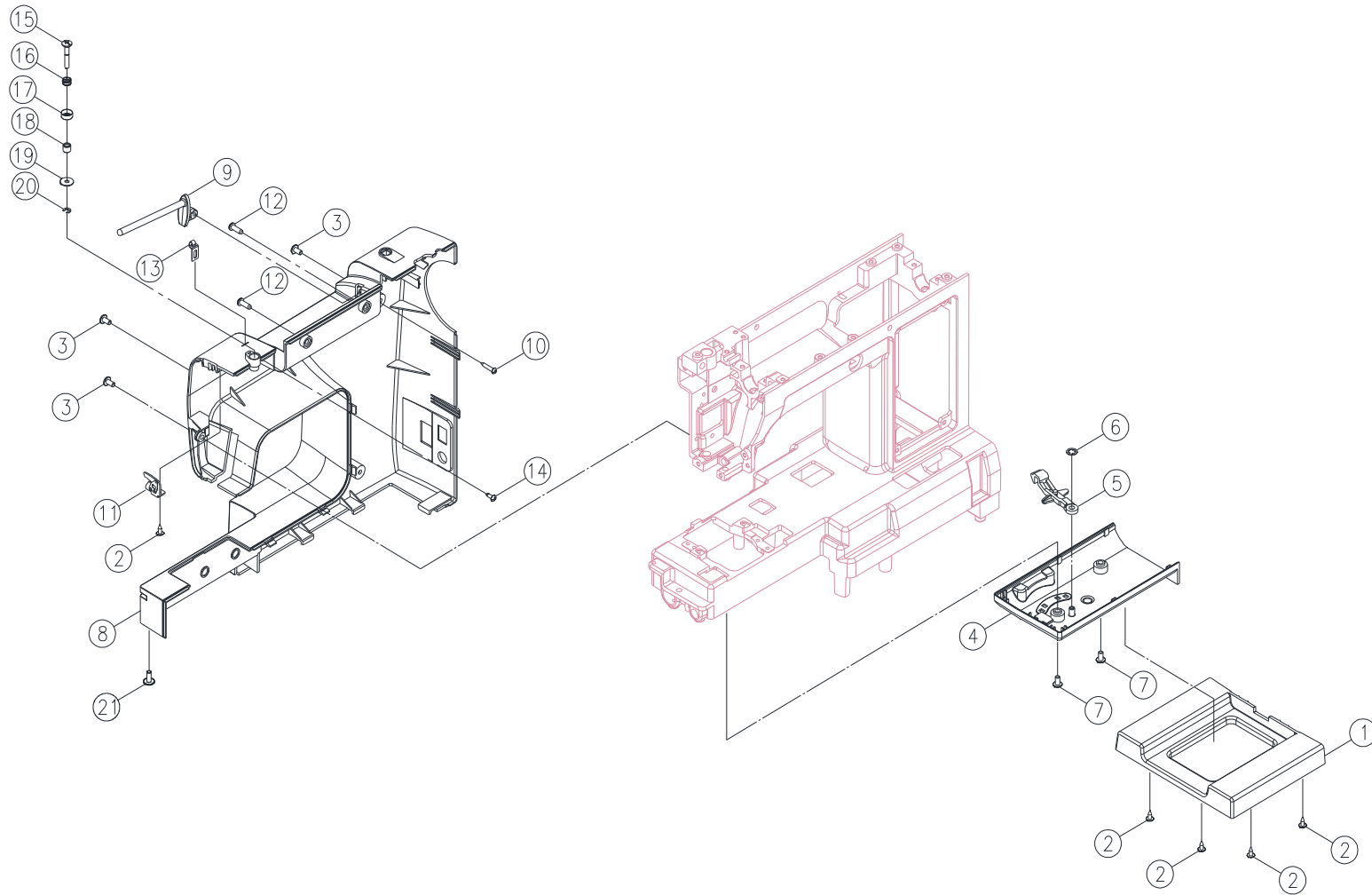


## F. BOBBIN WINDER, HF TRANSFORMER, CONTROLLER RECEPTACLE, HANDLE BRACKET

NO.	ITEM NO.	NAME	REMARK
1		BOBBIN WINDER PLATE	
2		BOBBIN WINDER CRANK	
3		BOBBIN WINDER CRANK	
4		BOBBIN WINDER PULLEY	
5		BOBBIN WINDER RUBBER PULLEY	
6		BOBBIN WINDER CRANK SPRING	
7		BOBBIN WINDER CRANK SPRING	
8		E-RING(ETW-5)	
9		MICRO SWITCH	
10		SCREW(M2×0.4×7.5)	
11		SCREW(M4×8A)	
12		HF TRANSFORMER BOX	
13		HF TRANSFORMER COMPLETE	
14		SCREW(M3×8.5 )	
15		SPRING PIN(φ3×8)	
16		FRAME OF MAIN CIRCUIT BOARD	
17		MAIN CIRCUIT BOARD	FOR HZL-60HR
		MAIN CIRCUIT BOARD	FOR HZL-70HW
		MAIN CIRCUIT BOARD	FOR HZL-80HP
18		SWITCH RECEPTACLE ASS'Y	FOR 220V-240V
		SWITCH RECEPTACLE ASS'Y	FOR 100V-120V
19		SET SCREW (M3×12B)	
20		CONTROLLER RECEPTACLE	FOR 100V/220V-240V
		CONTROLLER RECEPTACLE	FOR 120V
21		RECEPTACLE HOLDER	
22	40165257	FOOT CONTROLLER (C-9000)	
23		CORD CLIP(L=12)	
24		CORD CLIP(L=20)	
25	40165258		
	40165259		
	40165260		

NO.	ITEM NO.	NAME	REMARK
26		DC MOTOR COMPLETE	
27		GROUND CONNECTION	
28		MOTOR BRACKET	
29		INSULATION SPACER	
30		INSULATION SPACER	
31		SCREW(M3×10)	
32		WASHER(φ5.4×φ10×0.9)	
33		SPRING WASHER (φ5.1×φ9.2×1.3)	
34		SCREW(M5×12)	
35		HANDLE	
36		ARM TOP COVER PLATE COMPLETE	
37		SMPS INSULATING SLICE	
38		DC MOTOR LEAD CORD	
#1		BOBBIN WINDER COMPLETE	

### G. FREE ARM BASE, BACK COVER

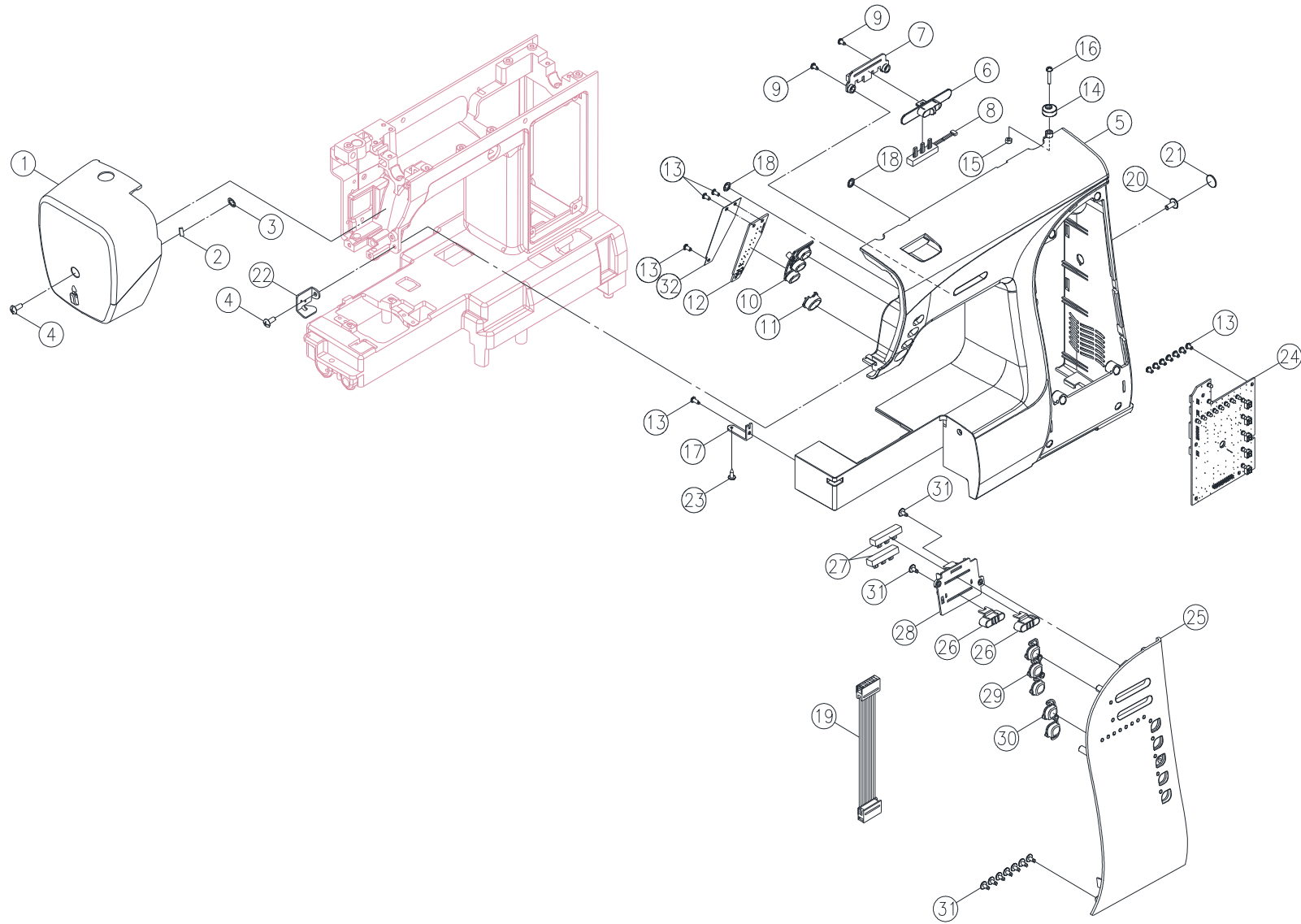




## G. FREE ARM BASE, BACK COVER

NO.	ITEM NO.	NAME	REMARK
1		FREE ARM FOOT BUSH	
2		SCREW(M3×8.5)	
3		SCREW(M4×8A)	
4		FREE ARM BASE	
5		TOOTH LEVER ARM	
6		CS-RING(CSTW-5)	
7		SCREW(M4×12B)	
8		BACK COVER	
9		SPOOL ROD	
10		SCREW(M3×16.7B)	
11		THREAD GUIDE COMPLETE	
12		SCREW(M4×12B)	
13		THREAD GUIDE	
14		SCREW(M3×8)	
15		BOBBIN WINDER THREAD GUIDE ADJUSTING	
16		SPRING	
17		BOBBIN WINDER SPRING DISC	
18		BOBBIN WINDER THREAD GUIDE	
19		SPACER	
20		E-RING(ETW-3)	
21		SCREW(M4×8)	

H. FACE PLATE, FRONT COVER\_FOR HZL-60HR

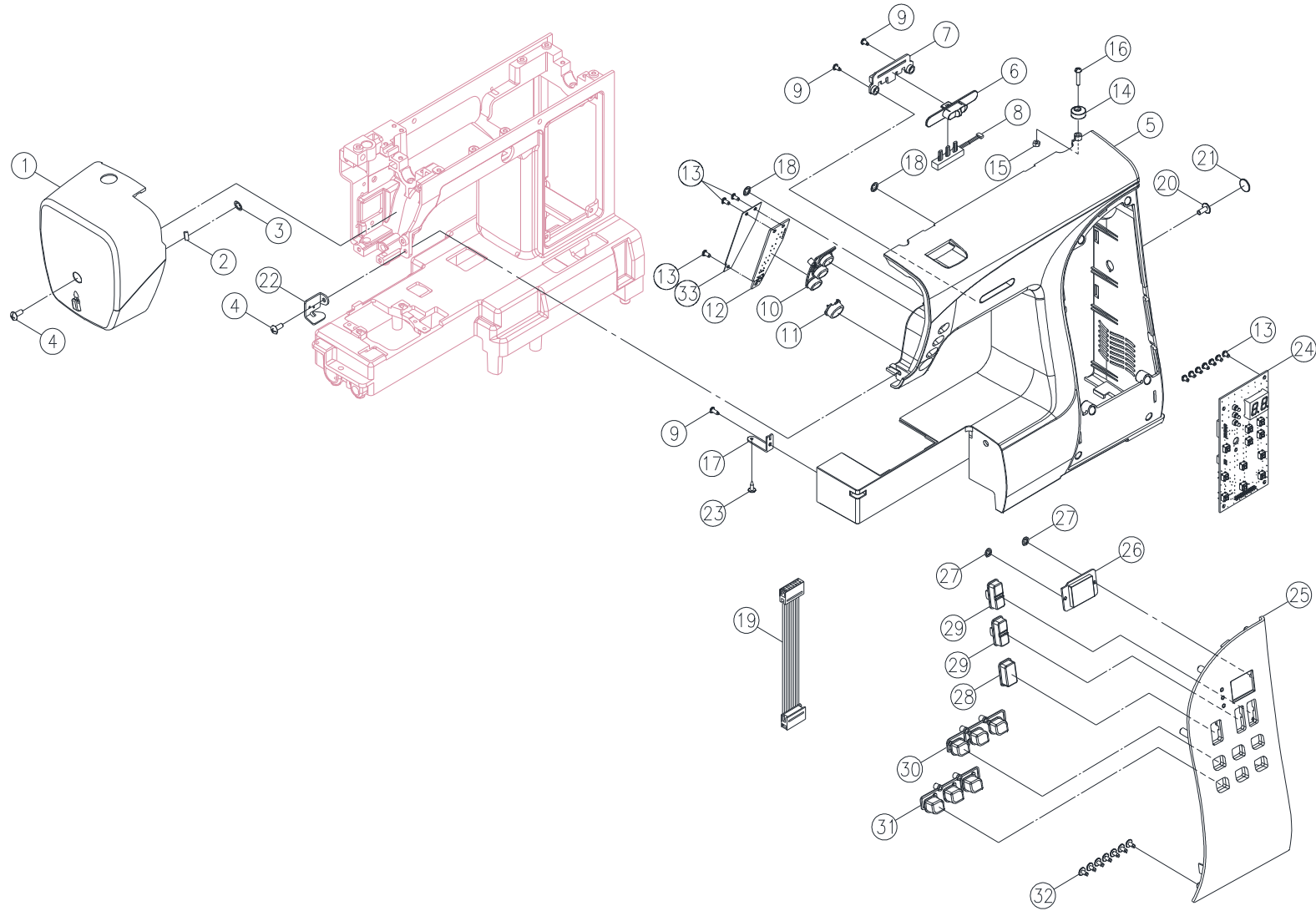


## H. FACE PLATE, FRONT COVER\_FOR HZL-60HR

NO.	ITEM NO.	NAME	REMARK
1		FACE PLATE	
2		THREAD CUTTER	
3		CS RING(CSTW-5)	
4		SCREW(M4×8A)	
5		FRONT COVER	
6		SLIDE VOLUME LEVER	
7		SLIDE VOLUME KNOB CONNECTOR	
8		SLIDE VOLUME	
9		SCREW(M3×8B)	
10		FUNCTION SELECT KEY	
11		START/STOP PUSH BUTTON	
12		KEY PLATE	
13		SCREW(M3×6B)	
14		BOBBIN WINDER STOPPER	
15		NUT(9/64×40 T=3)	
16		SCREW (9/64×40×16)	
17		ARM FRONT COVER SET PLATE	
18		CS RING(CSTW-4)	
19		ROW LINE	
20		SCREW(M4×8)	
21		PLUG	
22		ARM TOP COVER THREAD GUIDE PLATE	
23		SCREW(M3×8.5)	
24		PATTERN KEY PLATE	
25		FRONT PLATE	FOR HZL-60HR-A
		FRONT PLATE	FOR HZL-60HR-B
		FRONT PLATE	FOR HZL-60HR-C
26		SLIDE VOLUME KNOB	
27		GOVERNOR	
28		SLIDE VOLUME KNOB CONNECTOR	
29		PATTERN SELECT KEY	
30		PATTERN SELECT KEY	

NO.	ITEM NO.	NAME	REMARK
31		SET SCREW(M3×7)	
32		INSULATING SLICE	

H. FACE PLATE, FRONT COVER\_FOR HZL-70HW

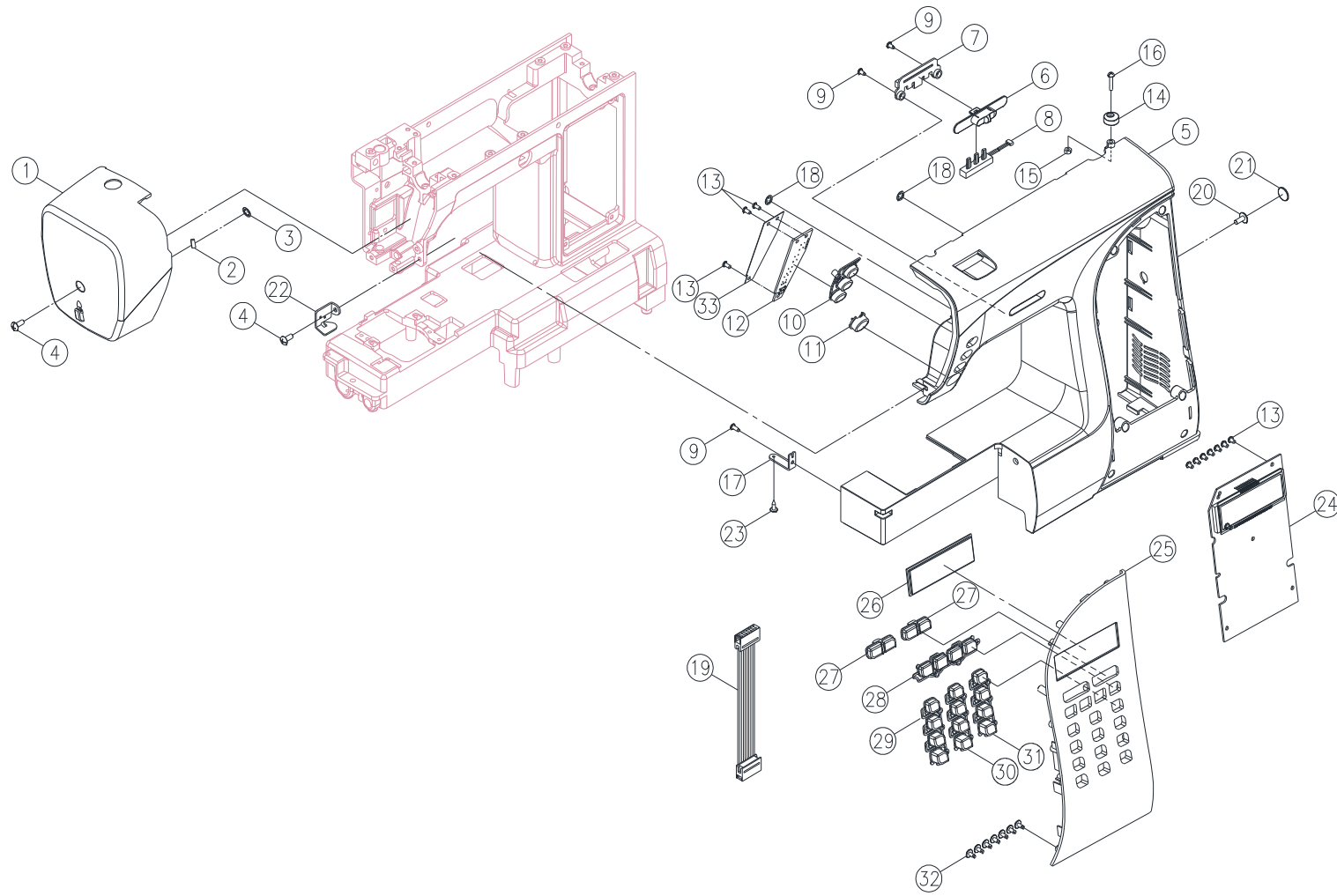


## H. FACE PLATE, FRONT COVER\_FOR HZL-70HW

NO.	ITEM NO.	NAME	REMARK
1		FACE PLATE	
2		THREAD CUTTER	
3		CS RING(CSTW-5)	
4		SCREW(M4×8A)	
5		FRONT COVER	
6		SLIDE VOLUME LEVER	
7		SLIDE VOLUME KNOB CONNECTOR	
8		SLIDE VOLUME	
9		SCREW(M3×8B)	
10		FUNCTION SELECT KEY	
11		START/STOP PUSH BUTTON	
12		KEY PLATE	
13		SCREW(M3×6B)	
14		BOBBIN WINDER STOPPER	
15		NUT(9/64×40 T=3)	
16		SCREW (9/64×40×16)	
17		ARM FRONT COVER SET PLATE	
18		CS RING(CSTW-4)	
19		ROW LINE	
20		SCREW(M4×8)	
21		PLUG	
22		ARM TOP COVER THREAD GUIDE PLATE	
23		SCREW(M3×8.5)	
24		PATTERN KEY PLATE	
25		FRONT PLATE	FOR HZL-70HW-A
		FRONT PLATE	FOR HZL-70HW-B
		FRONT PLATE	FOR HZL-70HW-C
26		LCD COVER	
27		CS RING(CSTW-3)	
28		FUNCTION SELECT BUTTON	
29		STITCH WIDTH/LENGTH BUTTON	
30		FUNCTION SELECT KEY	

NO.	ITEM NO.	NAME	REMARK
31		FUNCTION SELECT KEY	
32		SET SCREW ( M3×7 )	
33		INSULATING SLICE	

H. FACE PLATE, FRONT COVER\_FOR HZL-80HP

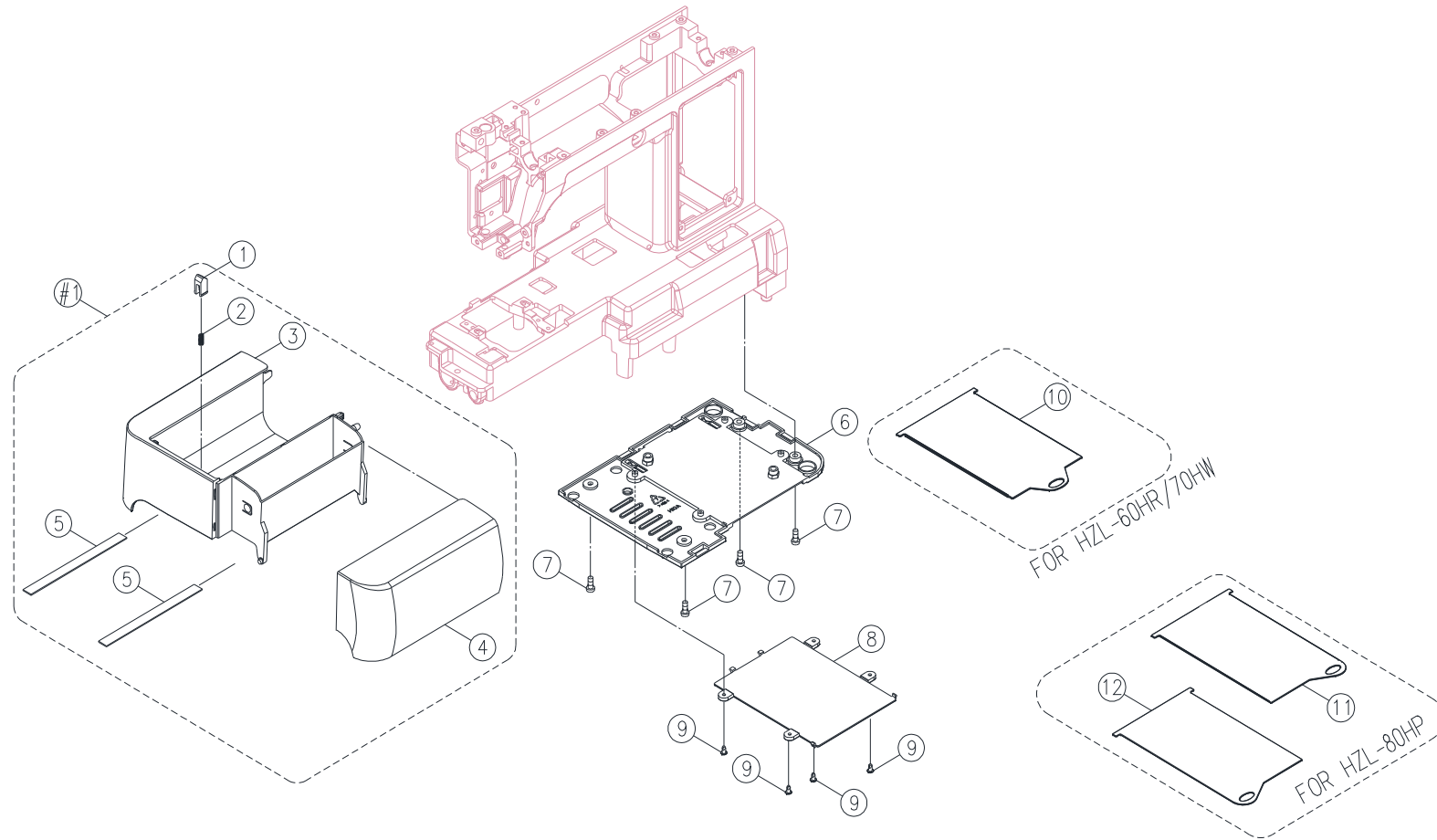


## H. FACE PLATE, FRONT COVER\_FOR HZL-80HP

NO.	ITEM NO.	NAME	REMARK
1		FACE PLATE	
2		THREAD CUTTER	
3		CS RING(CSTW-5)	
4		SCREW(M4×8A)	
5		FRONT COVER	
6		SLIDE VOLUME LEVER	
7		SLIDE VOLUME KNOB CONNECTOR	
8		SLIDE VOLUME	
9		SCREW(M3×8B)	
10		FUNCTION SELECT KEY	
11		START/STOP PUSH BUTTON	
12		KEY PLATE	
13		SCREW(M3×6B)	
14		BOBBIN WINDER STOPPER	
15		NUT(9/64×40 T=3)	
16		SCREW (9/64×40×16)	
17		ARM FRONT COVER SET PLATE	
18		CS RING(CSTW-4)	
19		ROW LINE	
20		SCREW(M4×8)	
21		PLUG	
22		ARM TOP COVER THREAD GUIDE PLATE	
23		SCREW(M3×8.5)	
24		PATTERN KEY PLATE	
25		FRONT PLATE	FOR HZL-80HP-A
		FRONT PLATE	FOR HZL-80HP-B
		FRONT PLATE	FOR HZL-80HP-C
26		LCD COVER	
27		STITCH WIDTH/LENGTH BUTTON	
28		FUNCTION SELECT KEY	
29		NUMERAL BUTTON(1/4/7)	
30		NUMERAL BUTTON(2/5/8/0)	

NO.	ITEM NO.	NAME	REMARK
31		NUMERAL BUTTON(3/6/9)	
32		SET SCREW ( M3×7 )	
33		INSULATING SLICE	

# I. SEWING TABLE BODY, CORD REEL COVER, PATTERN PLATE

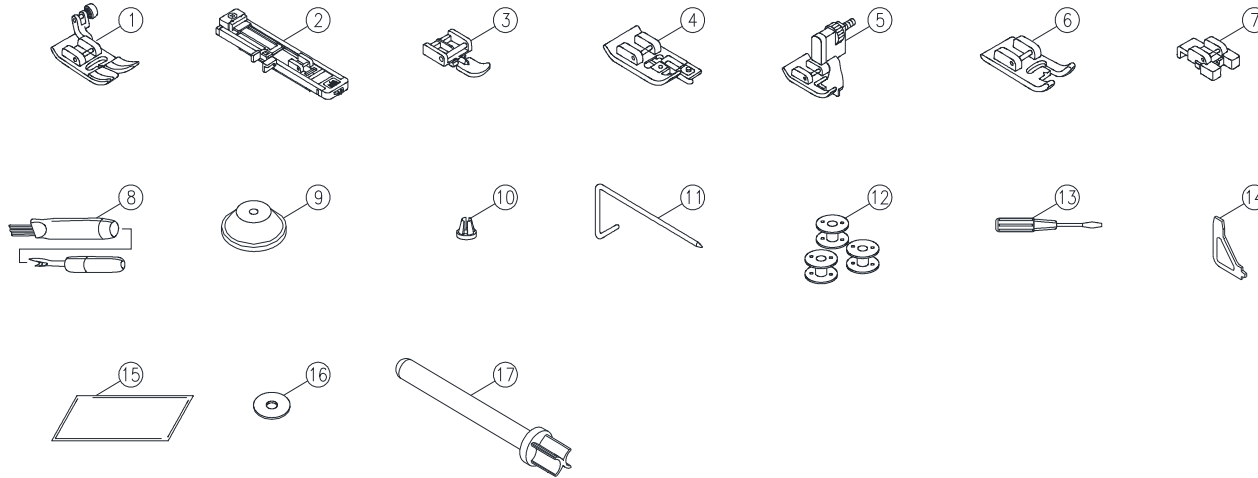




## I. SEWING TABLE BODY, CORD REEL COVER, PATTERN PLATE

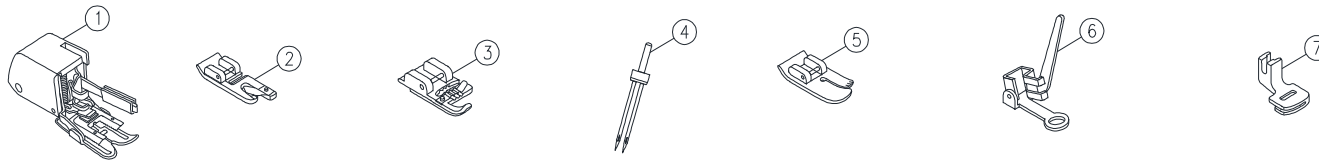
NO.	ITEM NO.	NAME	REMARK
1		SEWING TABLE BODY GUIDE	
2		SEWING TABLE BODY GUIDE SPRING	
3		SEWING TABLE BODY	
4		SEWING TABLE BODY COVER	
5		SEWING TABLE BODY FELT	
6		CORD REEL COVER	
7		SCREW(M4×8A)	
8		PATTERN COVER	
9		SCREW(M3×6B)	
10		PATTERN PLATE	FOR HZL-60HR
		PATTERN PLATE	FOR HZL-70HW
11		PATTERN PLATE	FOR HZL-80HP
12		PATTERN PLATE	FOR HZL-80HP
#1		SEWING TABLE COMPLETE	

## STANDARD ACCESSORIES



---

## OPTIONAL ACCESSORIES



## J. ACCESSORIES

## STANDARD ACCESSORIES

NO.	ITEM NO.	NAME	REMARK
1	40165250	STANDARD PRESSER FOOT(T)	
2	40165251	BUTTONHOLE FOOT	
3		ZIPPER FOOT(I)	
4		OVERCASTTING FOOT(E)	
5		BLIND STITCH FOOT(F)	
6		DECORATE STITCH FOOT(A)	
7		BUTTON SEWING FOOT	
8		SEAM RIPPER/BRUSH	
9	40165252	SPOOL CAP	
10		SPOOL CAP(S)	
11		QUILT GUIDE	
12		BOBBIN	
13		SCREWDRIVER(S)	
14	40165255	L-SHAPE SCREWDRIVER	
15		PACK OF NEEDLES(3X)	
16		SPOOL PIN FELT	
17	40165254	AUXILIARY SPOOL PIN	

## OPTIONAL ACCESSORIES

NO.	ITEM NO.	NAME	REMARK
1		WALKING FOOT	
2		ROLLED HEMMING FOOT(K)	
3		CORDING FOOT(M)	
4		TWIN NEEDLE	
5		STRAIGHT STITCH FOOT(P)	
6		QUILT FOOT	
7	40165262	GATHERING FOOT	

NOTE: WHEN YOU ORDER ANY SPARE PARTS FROM US,  
PLEASE COOPERATE WITH US BY WRITING.

- (1) SECTION & SEQUENCE NO.
- (2) NAME OF PARTS
- (3) VOLTAGE, IF NECESSARY
- (4) OTHERS, IF ANY